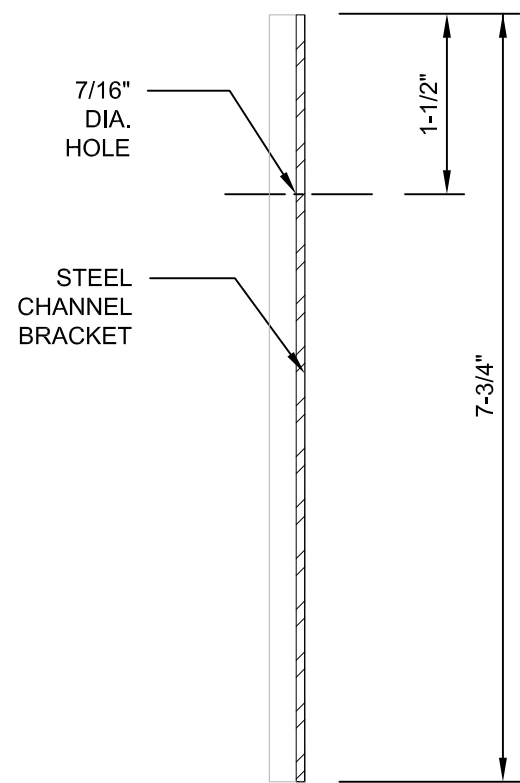
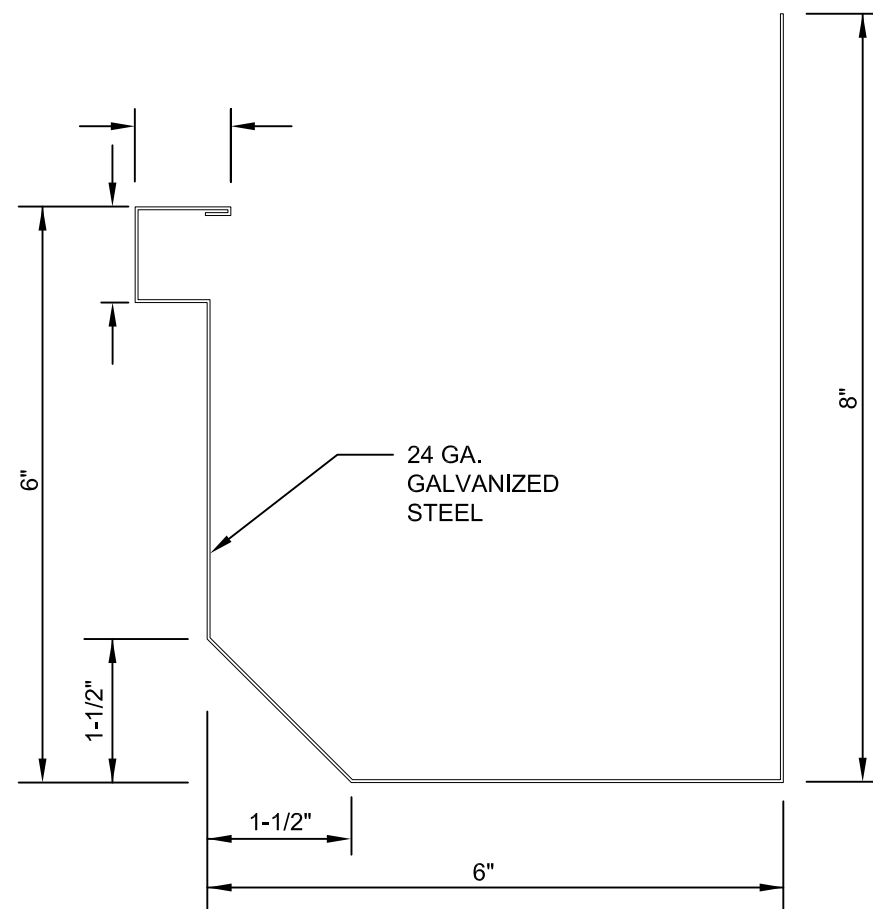


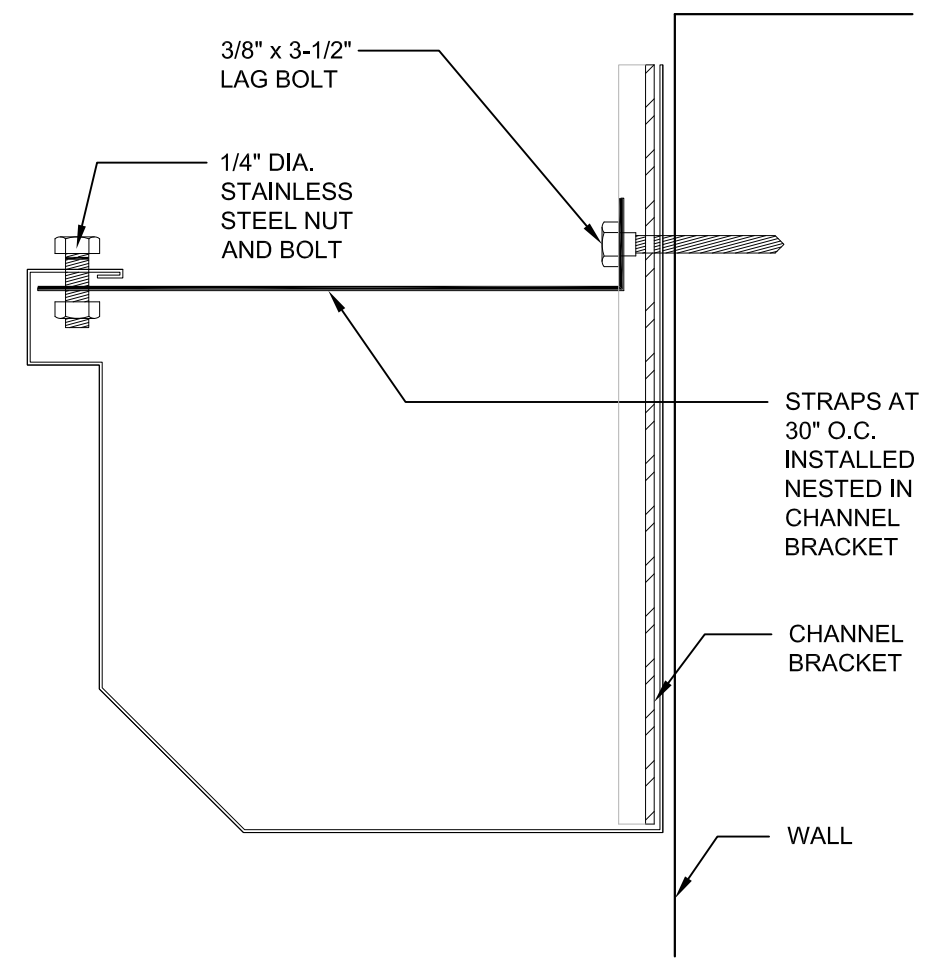
**GUTTER STRAP  
FABRICATION DRAWING**



**GUTTER CHANNEL BRACKET  
FABRICATION DRAWING**



**GUTTER  
FABRICATION DRAWING**



**INSTALLATION DRAWING**

DATE:  
11/15/22  
REV.:  
2/20/203



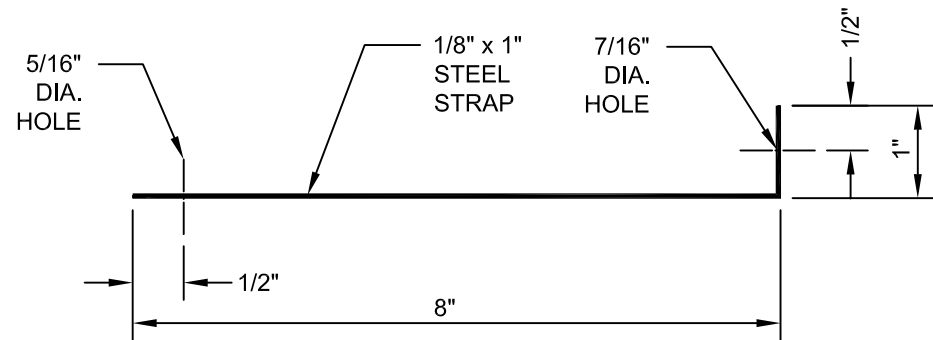
RESISTANCE TESTED IN  
ACCORDANCE WITH ANSI/SPRI GT-1  
FET T252-22R2  
INTERTEK/ETL 70527

| LOAD DIRECTION |
|----------------|
| OUTWARD        |
| UPWARD         |
| DOWNWARD       |

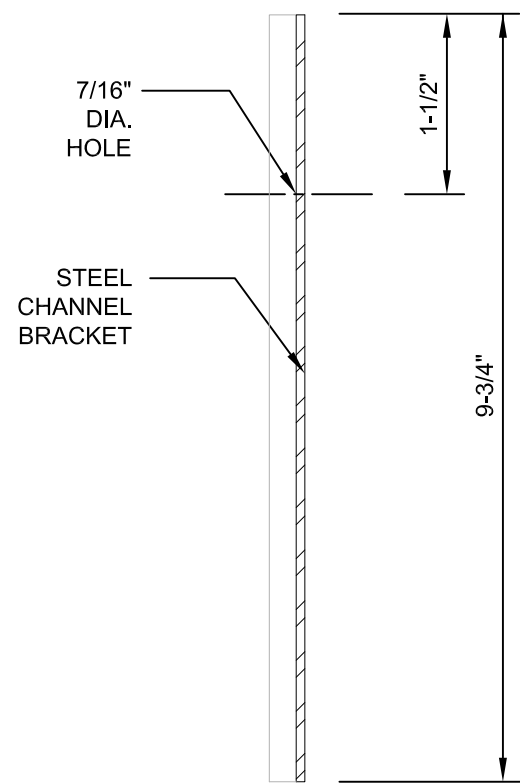
| TESTED WIND RESISTANCE LOAD |
|-----------------------------|
| 590 LBS./SQ. FT.            |
| 480 LBS./SQ. FT.            |
| 100 LBS./FT.                |

TWO-PIECE GUTTER - STYLE D WITH  
INTERNAL CHANNEL BRACKETS

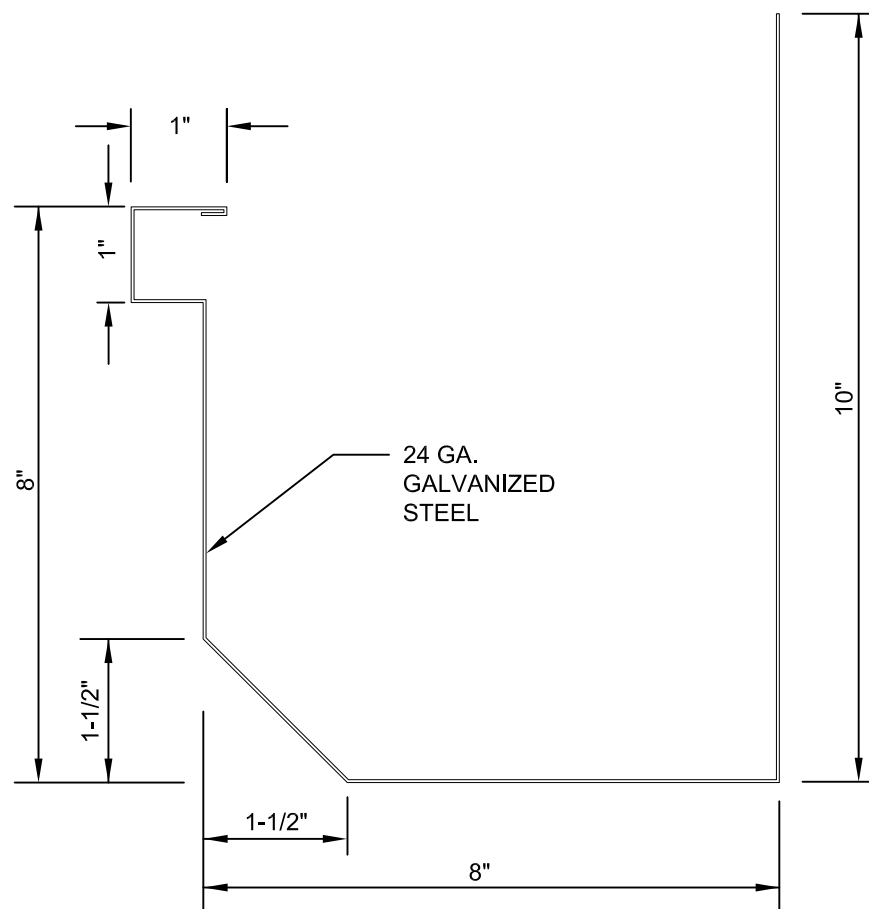
SHEET  
No:  
**G1**



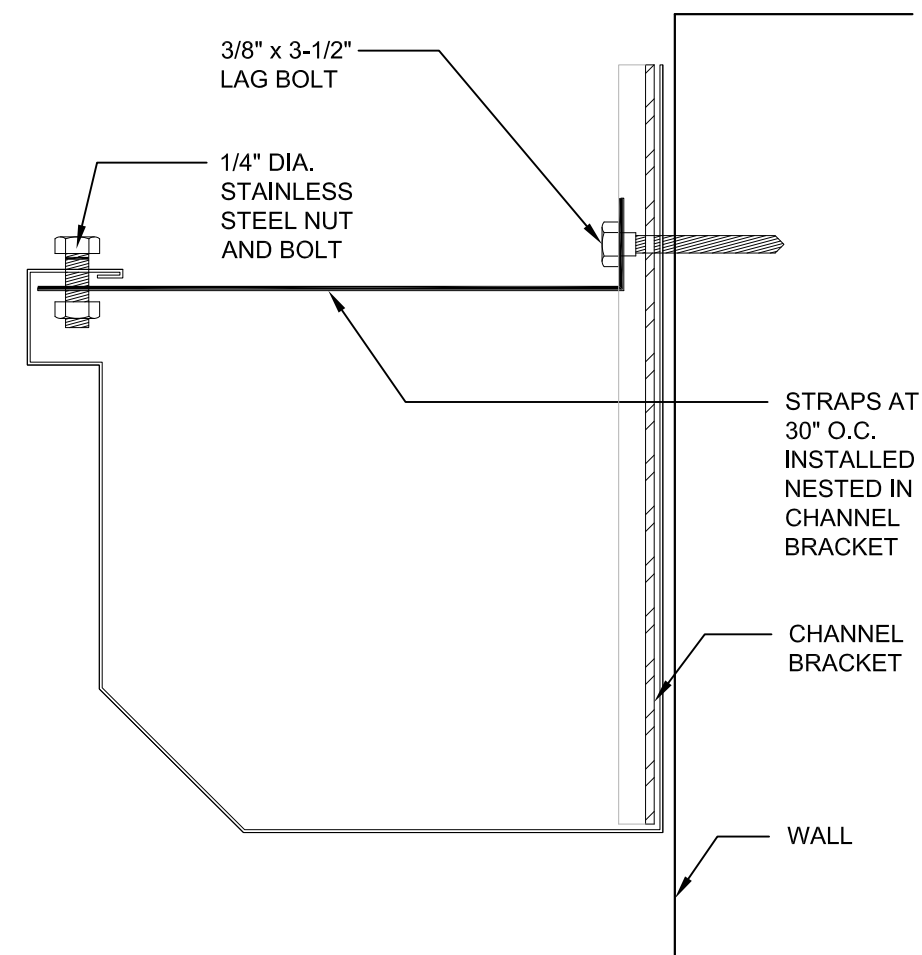
GUTTER STRAP  
FABRICATION DRAWING



GUTTER CHANNEL BRACKET  
FABRICATION DRAWING



GUTTER  
FABRICATION DRAWING



INSTALLATION DRAWING

DATE:  
11/15/22

REV.:  
2/20/203



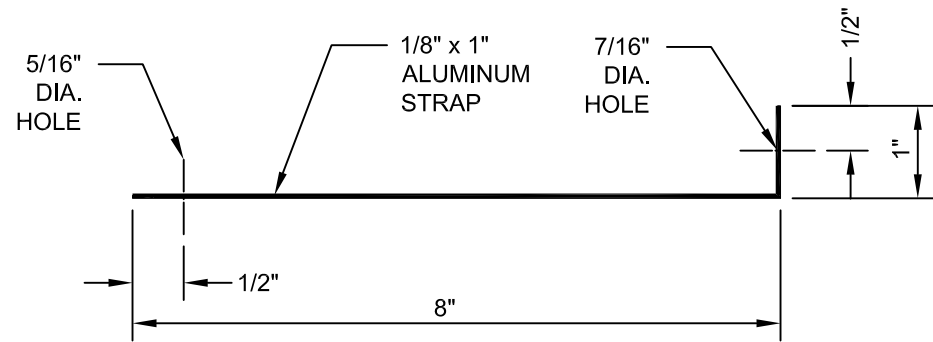
RESISTANCE TESTED IN  
ACCORDANCE WITH ANSI/SPRI GT-1  
FET T252-22R2  
INTERTEK/ETL 70527

| LOAD DIRECTION |
|----------------|
| OUTWARD        |
| UPWARD         |
| DOWNWARD       |

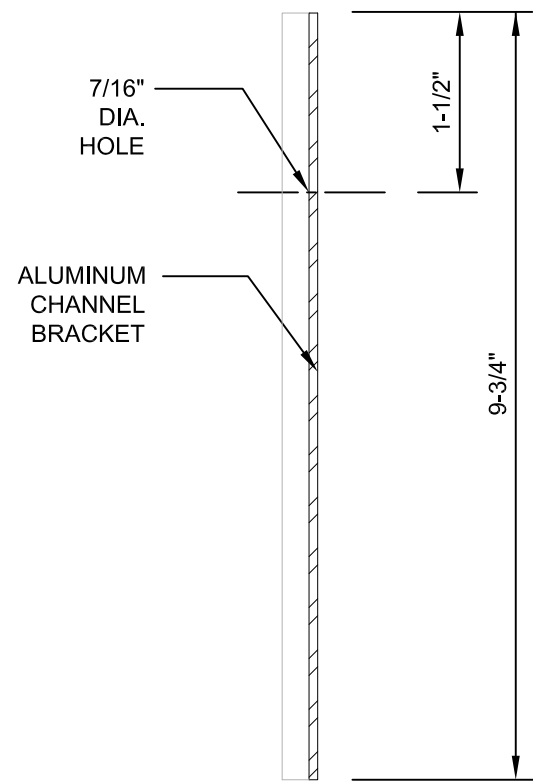
| TESTED WIND RESISTANCE LOAD |
|-----------------------------|
| 450 LBS./SQ. FT.            |
| 322 LBS./SQ. FT.            |
| 50 LBS./FT.                 |

TWO-PIECE GUTTER - STYLE D WITH  
INTERNAL CHANNEL BRACKETS

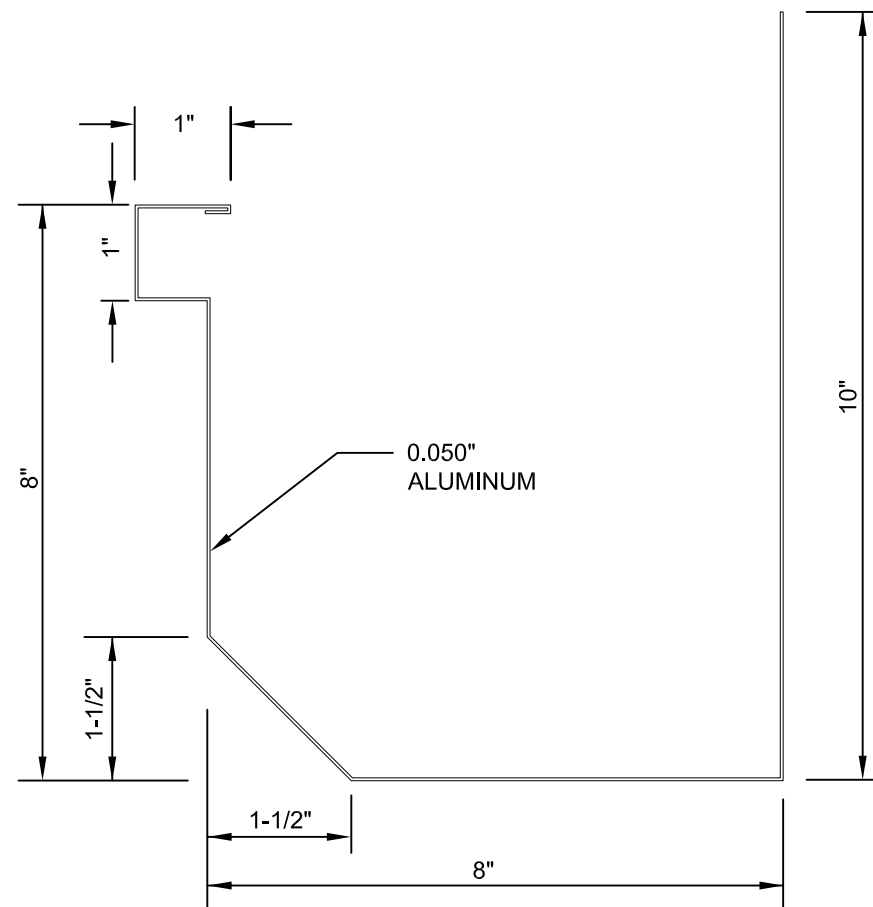
SHEET  
No:  
**G5**



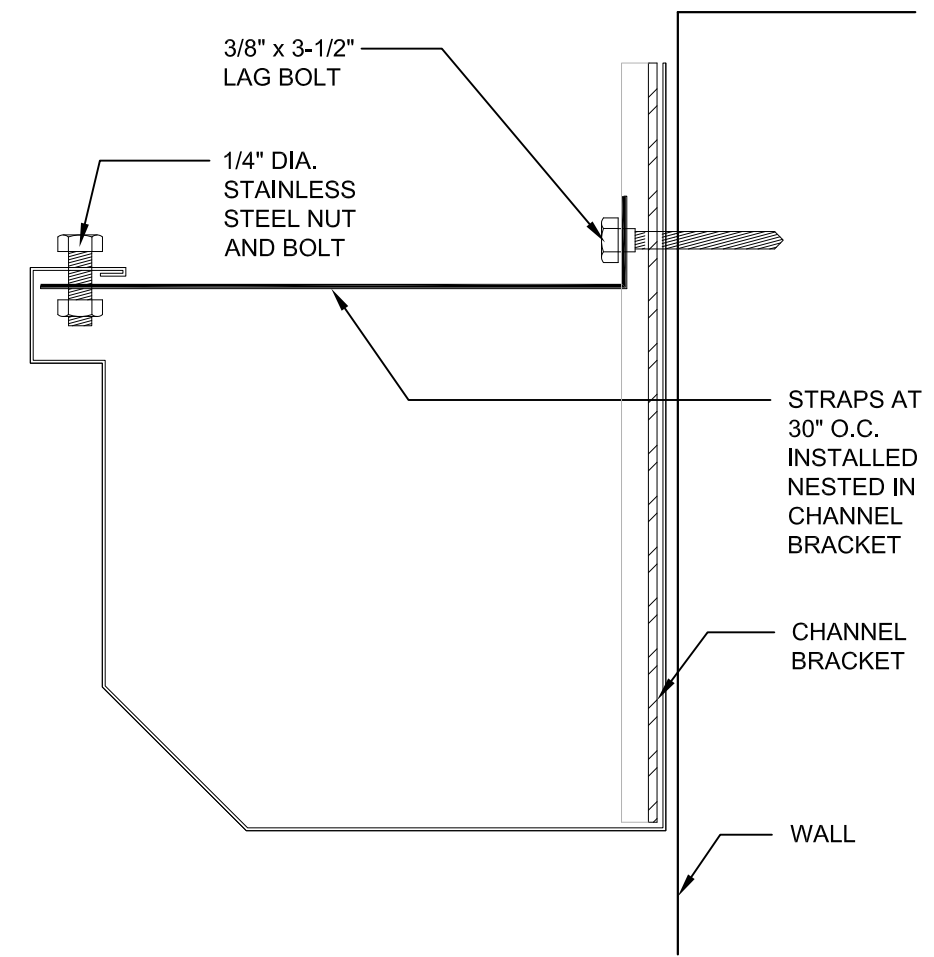
**GUTTER STRAP  
FABRICATION DRAWING**



**GUTTER CHANNEL BRACKET  
FABRICATION DRAWING**



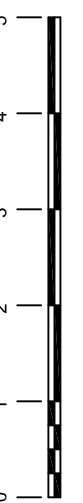
**GUTTER  
FABRICATION DRAWING**



**INSTALLATION DRAWING**

DATE:  
11/15/22

REV.:  
2/20/203



RESISTANCE TESTED IN  
ACCORDANCE WITH ANSI/SPRI GT-1  
FET T252-22R2  
INTERTEK/ETL 70527

LOAD DIRECTION

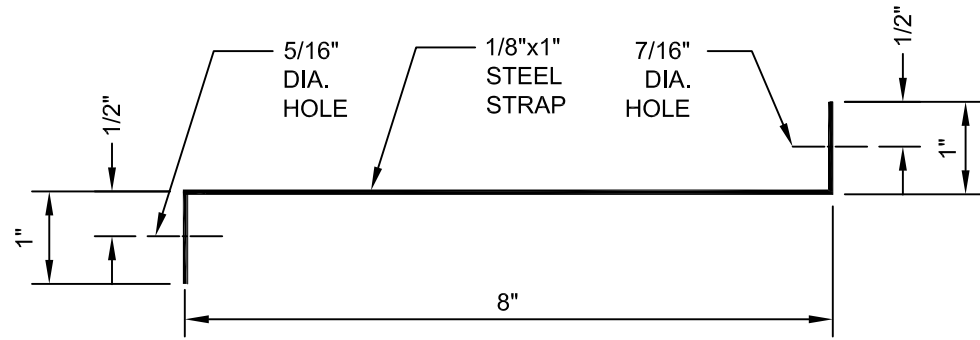
OUTWARD  
UPWARD  
DOWNWARD

TESTED WIND RESISTANCE LOAD

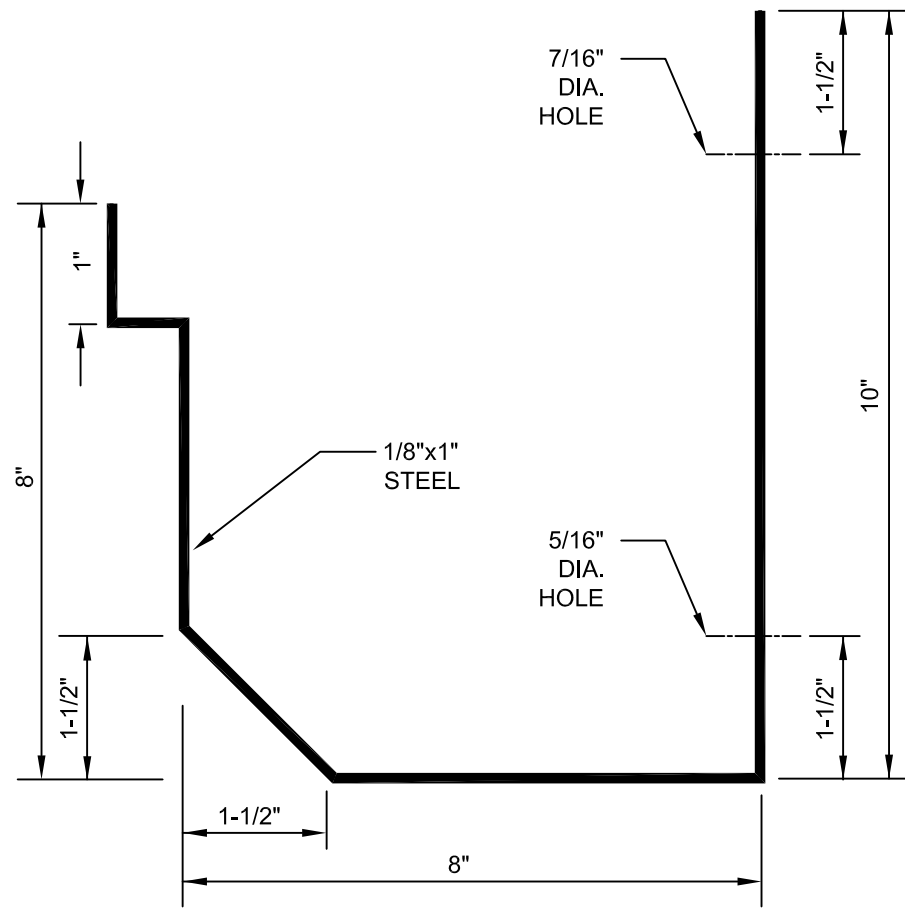
442 LBS./SQ. FT.  
127 LBS./SQ. FT.  
100 LBS./FT.

TWO-PIECE GUTTER - STYLE D WITH  
INTERNAL CHANNEL BRACKETS

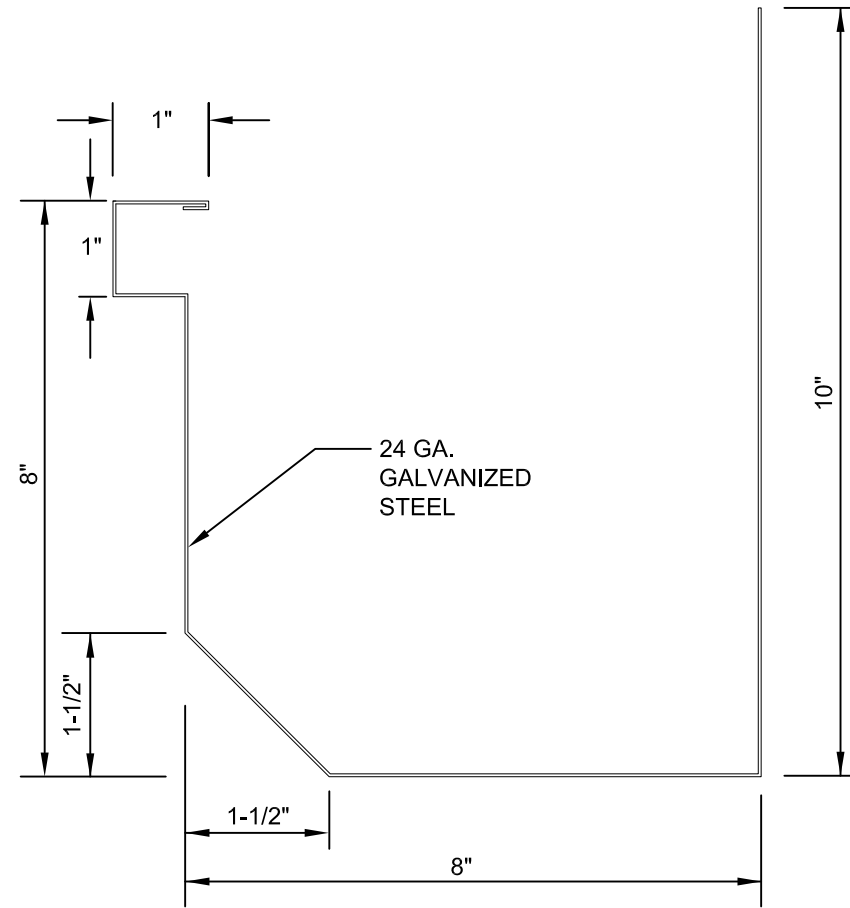
SHEET  
No:  
**G6**



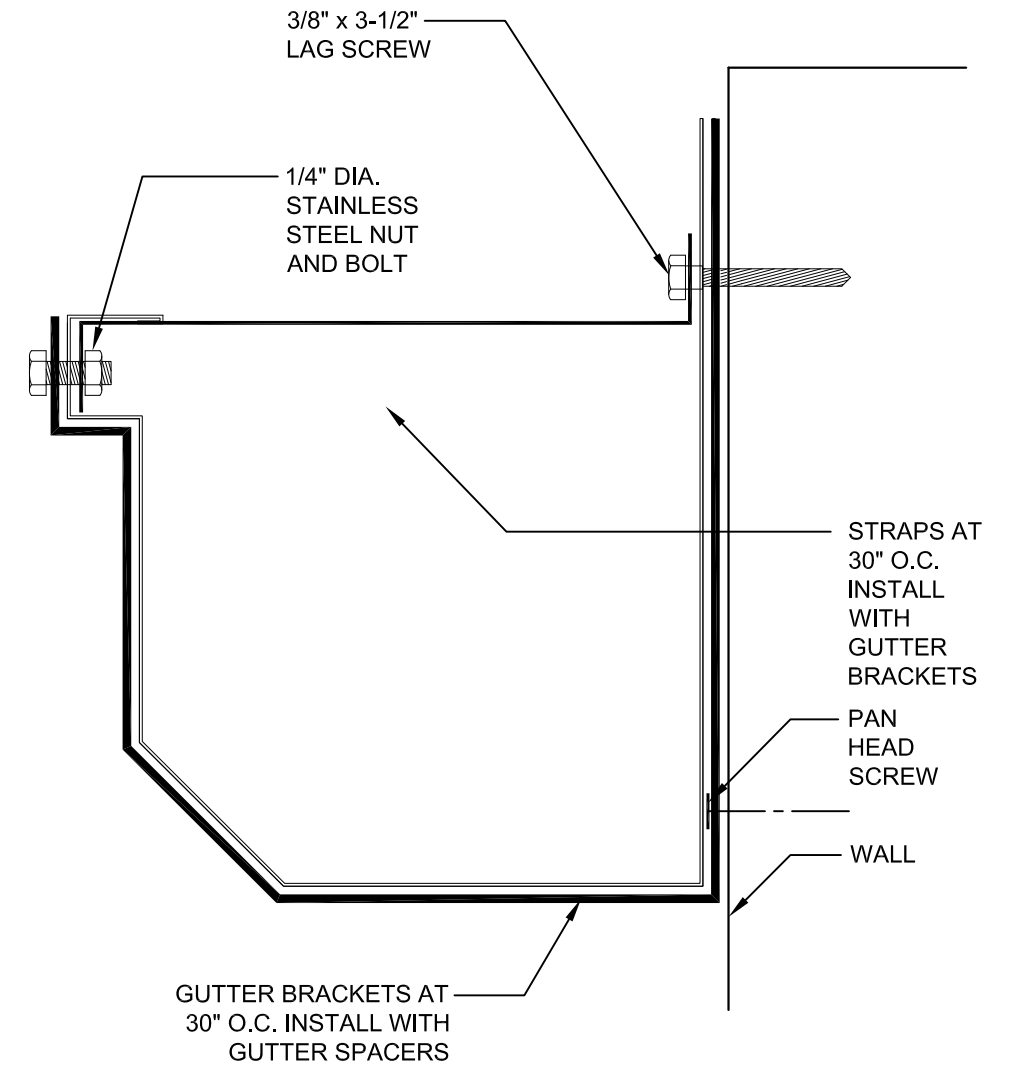
**GUTTER STRAP  
 FABRICATION DRAWING**



**GUTTER BRACKET  
 FABRICATION DRAWING**



**GUTTER  
 FABRICATION DRAWING**



**INSTALLATION DRAWING**



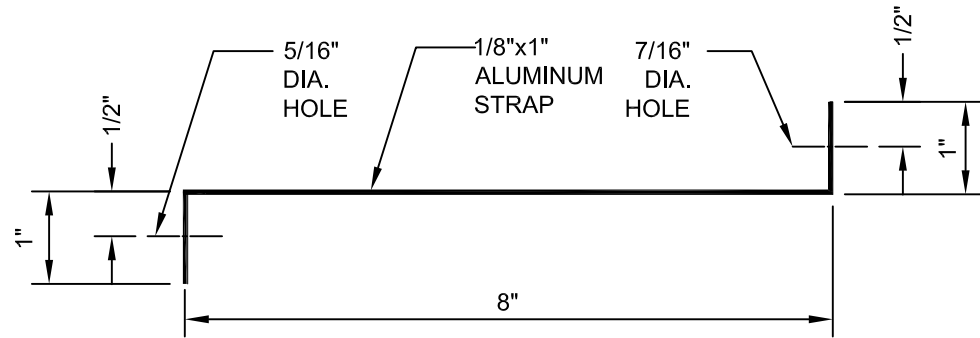
RESISTANCE TESTED IN  
 ACCORDANCE WITH ANSI/SPRI GT-1  
 FET T252-22R2  
 INTERTEK/ETL 70527

LOAD DIRECTION  
 OUTWARD  
 UPWARD  
 DOWNWARD

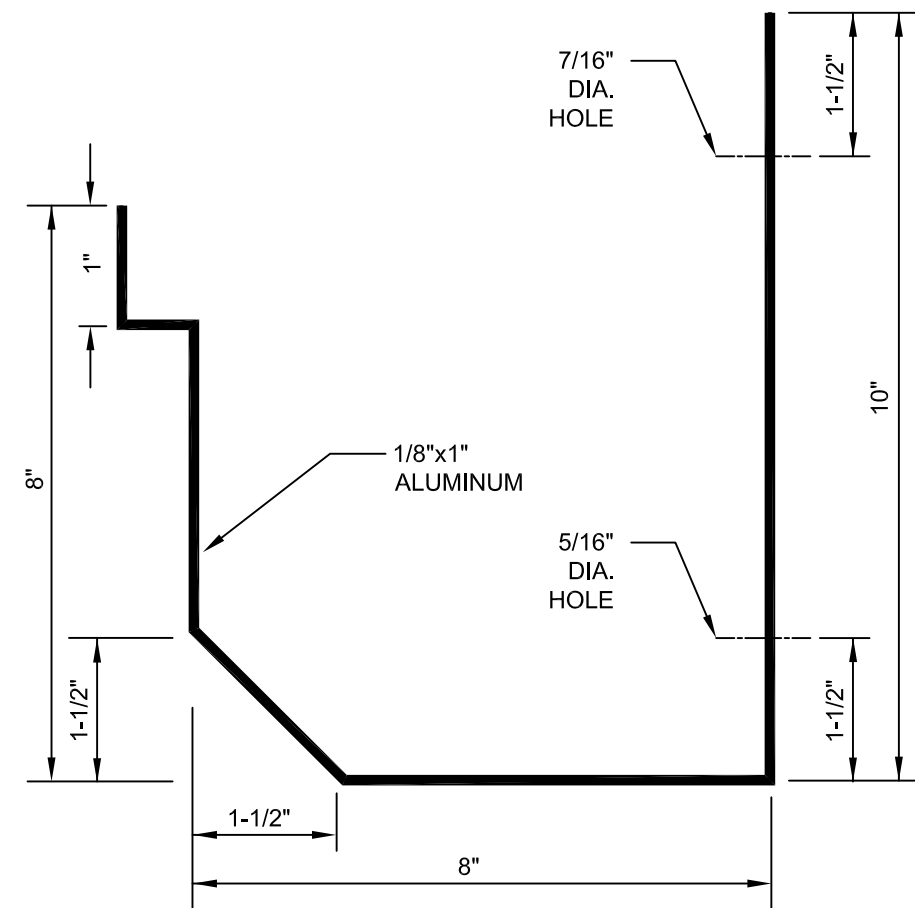
TESTED WIND RESISTANCE LOAD  
 300 LBS./SQ. FT.  
 142 LBS./SQ. FT.  
 75 LBS./FT.

TWO-PIECE GUTTER - STYLE D WITH  
 WRAP AROUND BRACKETS

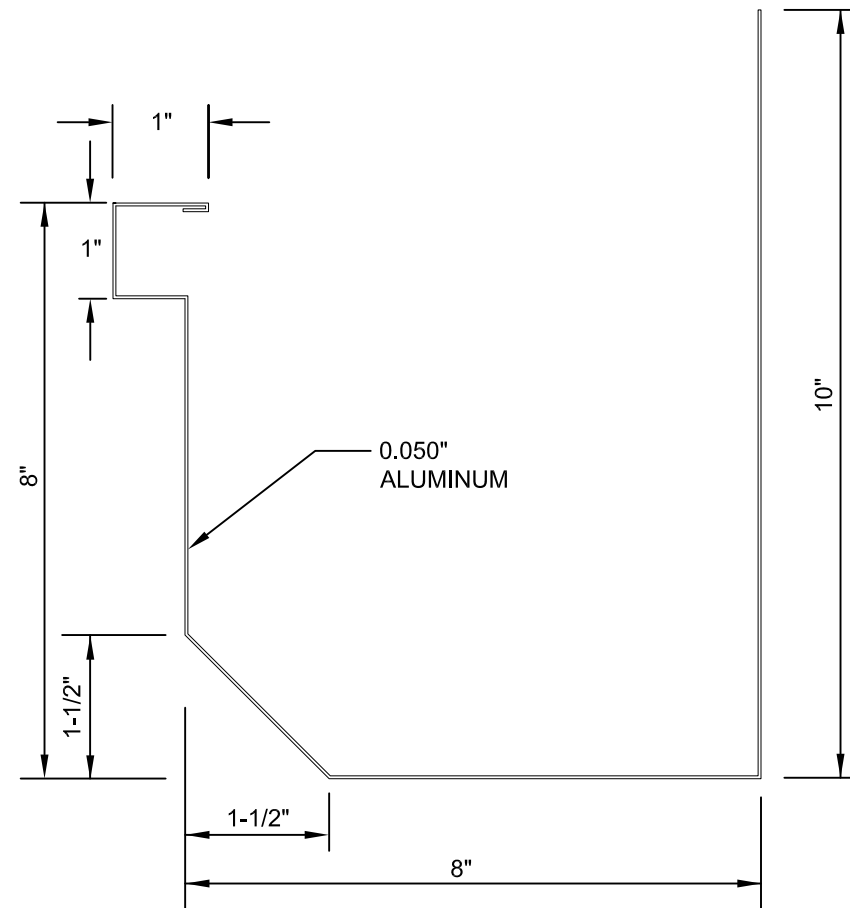
SHEET  
 No:  
**G7**



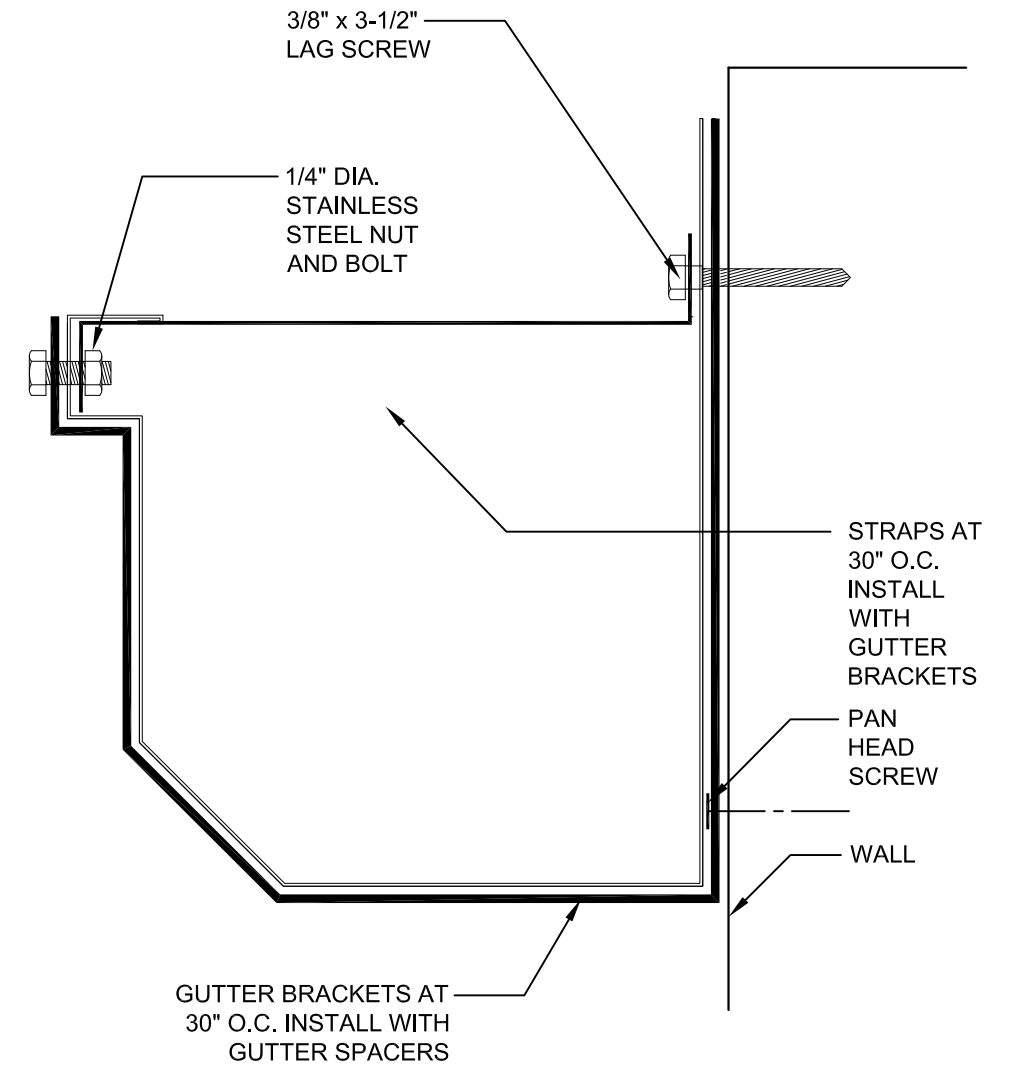
**GUTTER STRAP  
FABRICATION DRAWING**



**GUTTER BRACKET  
FABRICATION DRAWING**



**GUTTER  
FABRICATION DRAWING**



**INSTALLATION DRAWING**

DATE:  
11/15/22  
REV.:  
2/20/203



RESISTANCE TESTED IN  
ACCORDANCE WITH ANSI/SPRI GT-1  
FET T252-22R2  
INTERTEK/ETL 70527

| LOAD DIRECTION | TESTED WIND RESISTANCE LOAD |
|----------------|-----------------------------|
| OUTWARD        | 232 LBS./SQ. FT.            |
| UPWARD         | 172 LBS./SQ. FT.            |
| DOWNWARD       | 115 LBS./FT.                |

TESTED WIND RESISTANCE LOAD

232 LBS./SQ. FT.  
172 LBS./SQ. FT.  
115 LBS./FT.

TWO-PIECE GUTTER - STYLE D WITH  
WRAP AROUND BRACKETS

SHEET  
No:  
**G8**