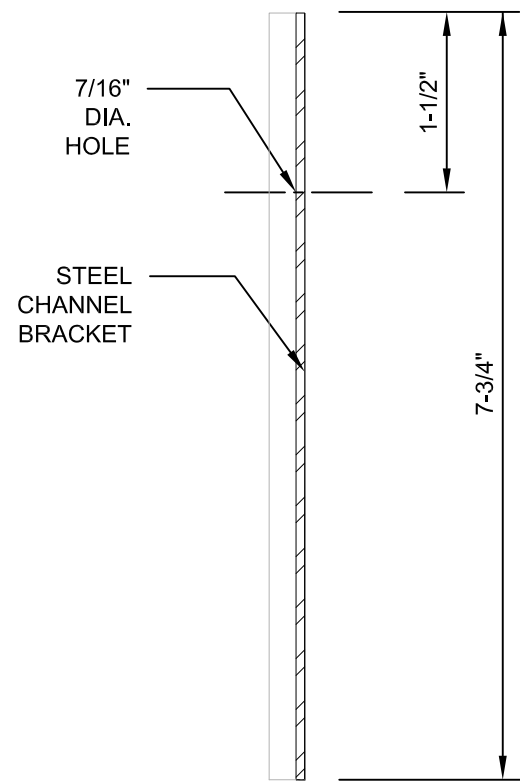
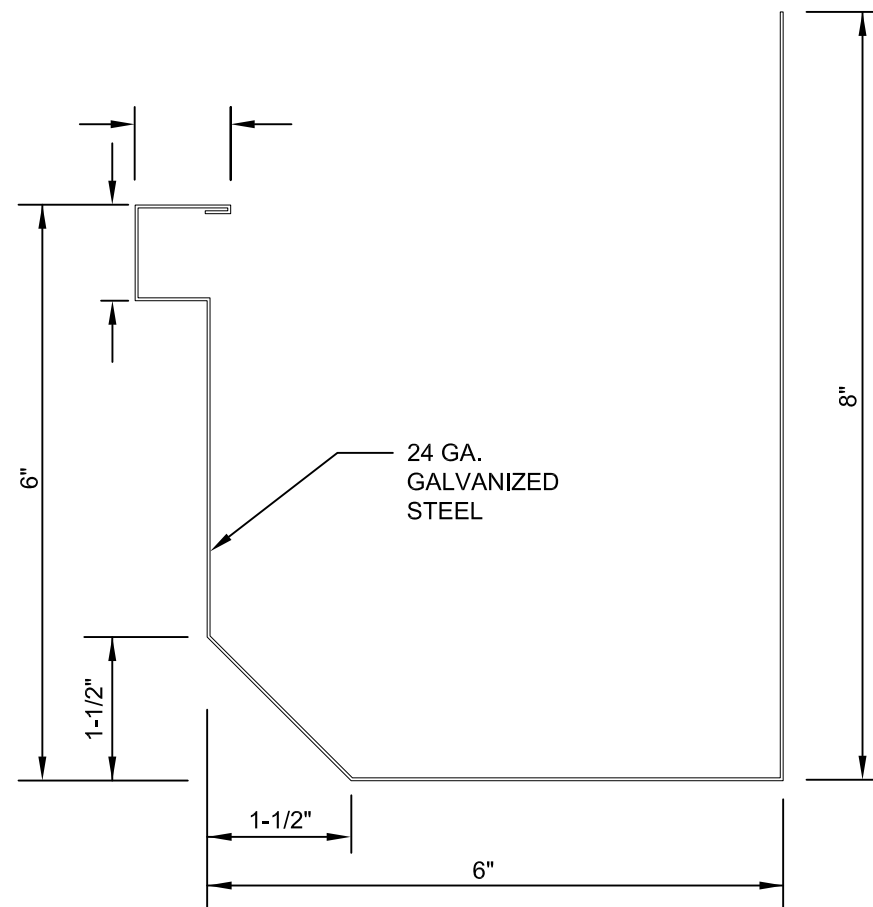


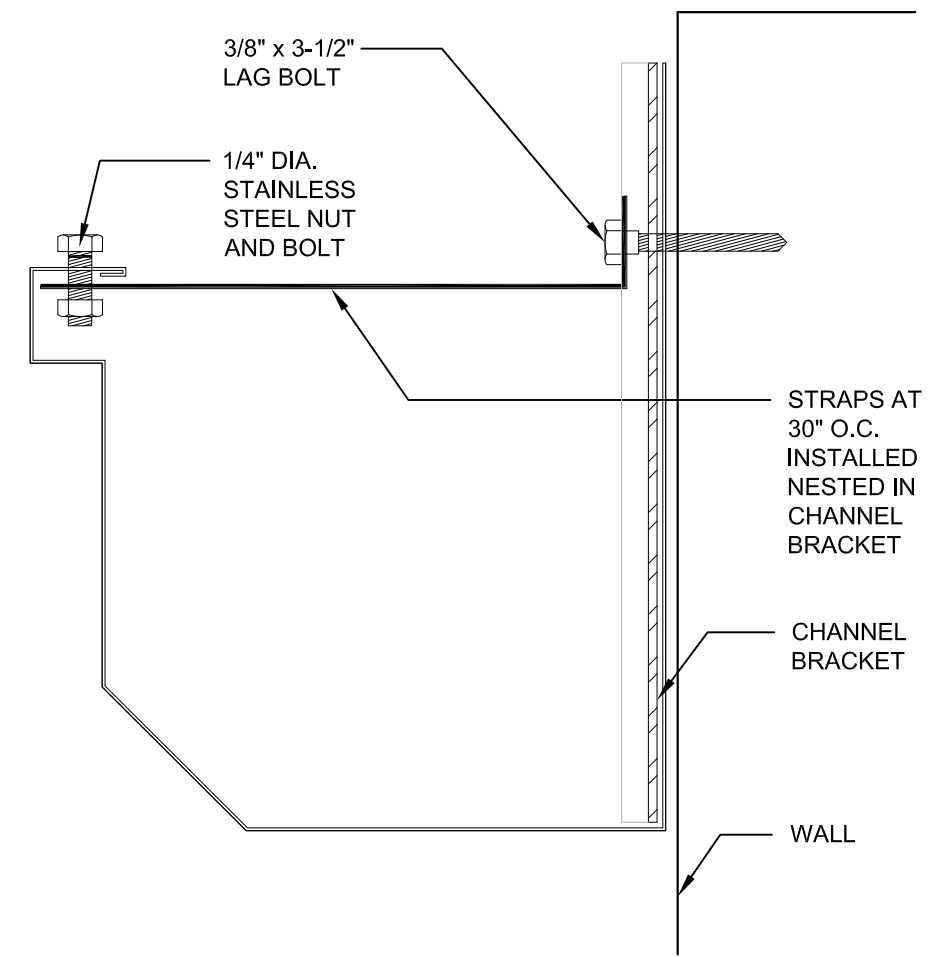
GUTTER STRAP
FABRICATION DRAWING



GUTTER CHANNEL BRACKET
FABRICATION DRAWING



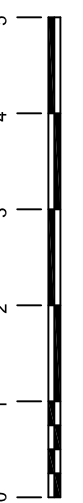
GUTTER
FABRICATION DRAWING



INSTALLATION DRAWING

DATE:
11/15/22

REV.:



RESISTANCE TESTED IN
ACCORDANCE WITH ANSI/SPRI GT-1
FET T247-22R2
UL TGJX.R40622

LOAD DIRECTION

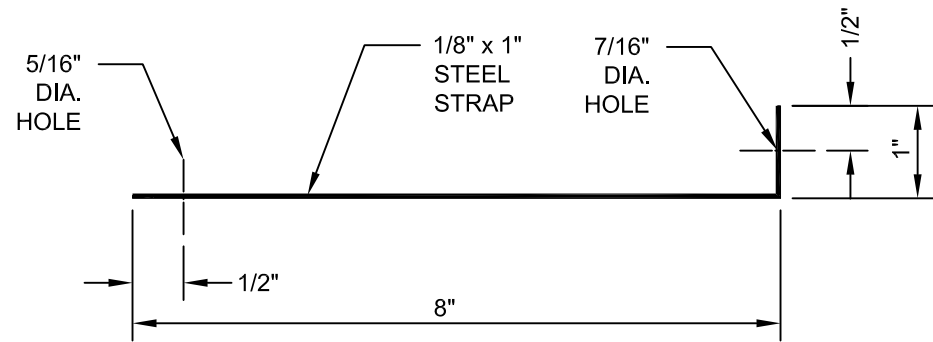
OUTWARD
UPWARD
DOWNWARD

TESTED WIND RESISTANCE LOAD

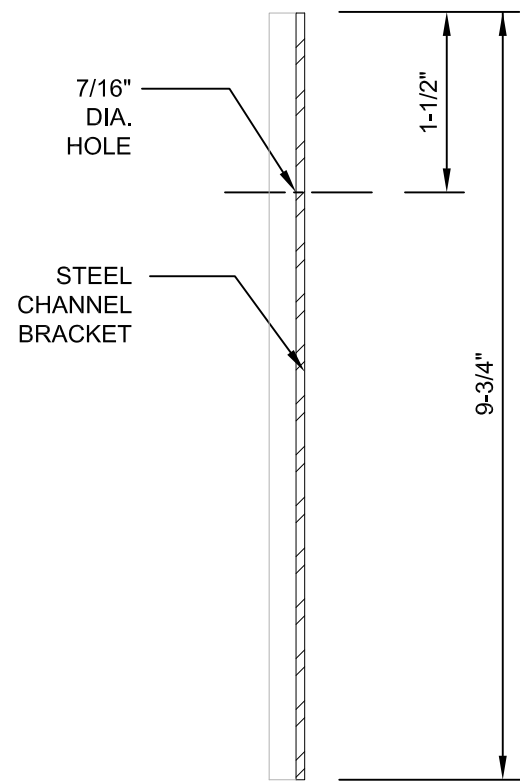
590 LBS./SQ. FT.
480 LBS./SQ. FT.
100 LBS./FT.

TWO-PIECE GUTTER - STYLE D WITH
INTERNAL CHANNEL BRACKETS

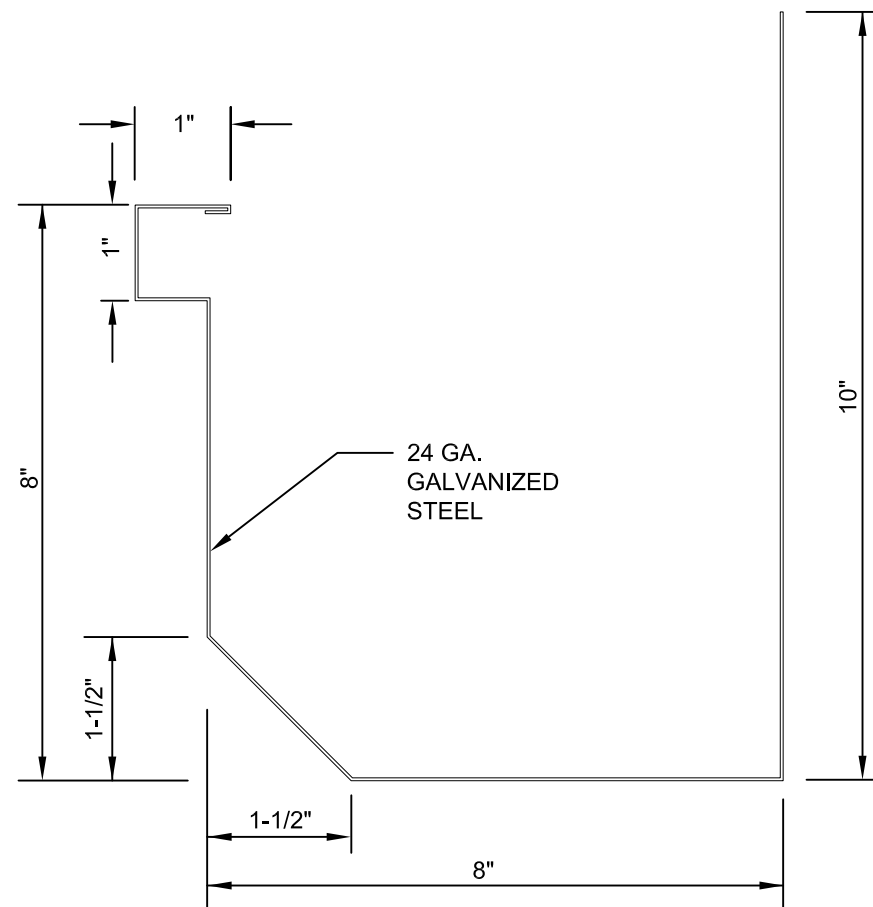
SHEET
No:
G1



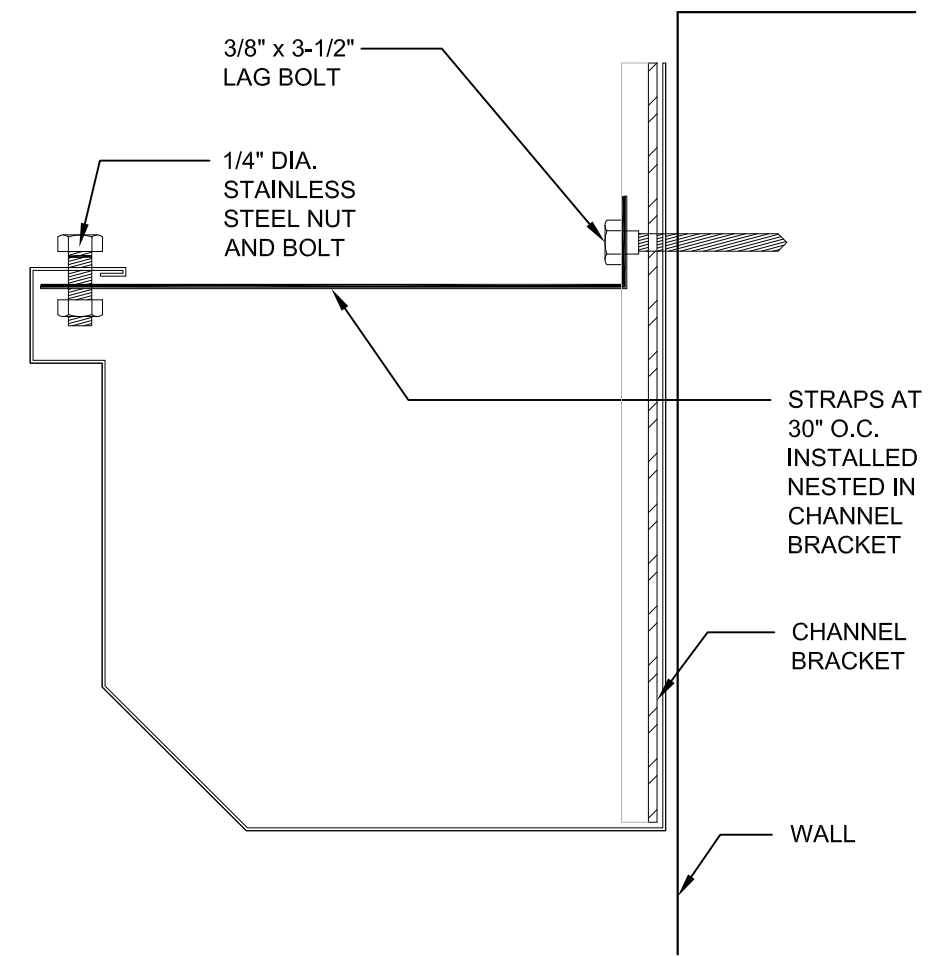
GUTTER STRAP
FABRICATION DRAWING



GUTTER CHANNEL BRACKET
FABRICATION DRAWING



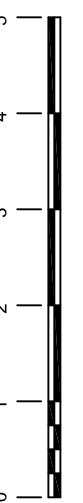
GUTTER
FABRICATION DRAWING



INSTALLATION DRAWING

DATE:
11/15/22

REV.:



RESISTANCE TESTED IN
ACCORDANCE WITH ANSI/SPRI GT-1
FET T249-22R2
UL TGJX.R40622

LOAD DIRECTION

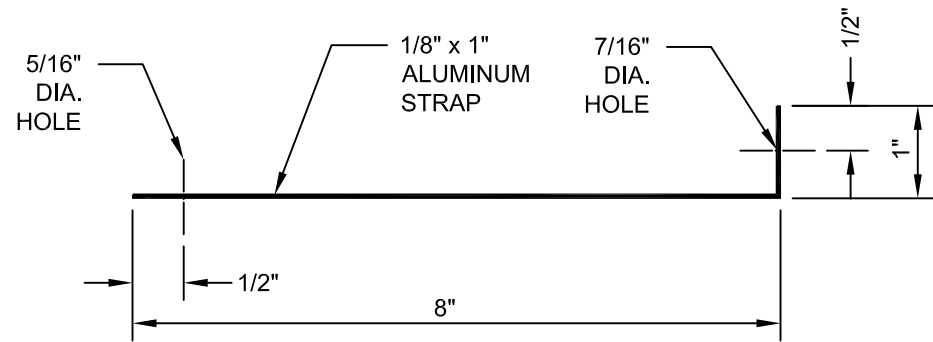
OUTWARD
UPWARD
DOWNWARD

TESTED WIND RESISTANCE LOAD

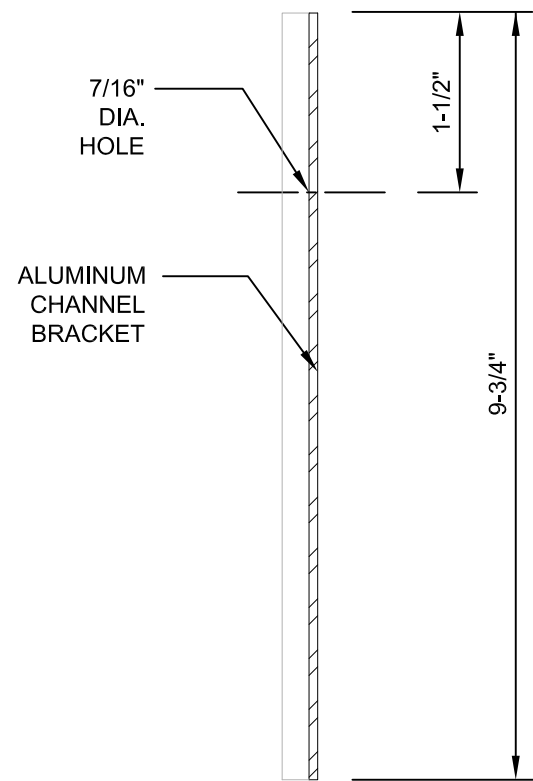
450 LBS./SQ. FT.
322 LBS./SQ. FT.
50 LBS./FT.

TWO-PIECE GUTTER - STYLE D WITH
INTERNAL CHANNEL BRACKETS

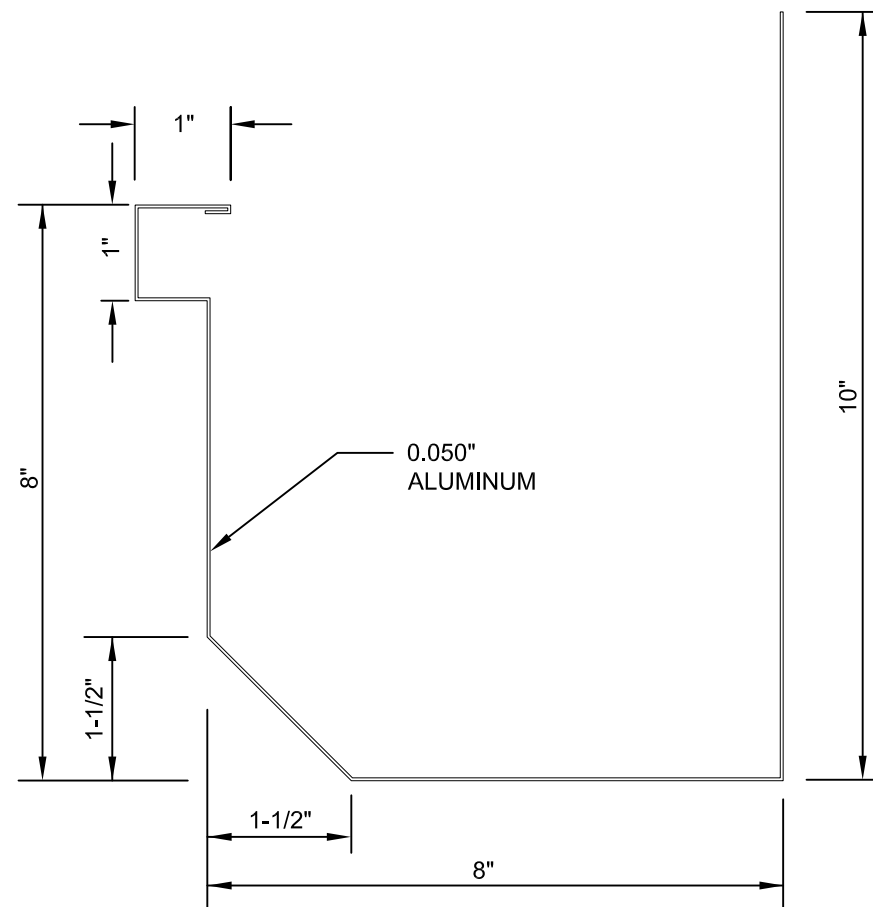
SHEET
No:
G5



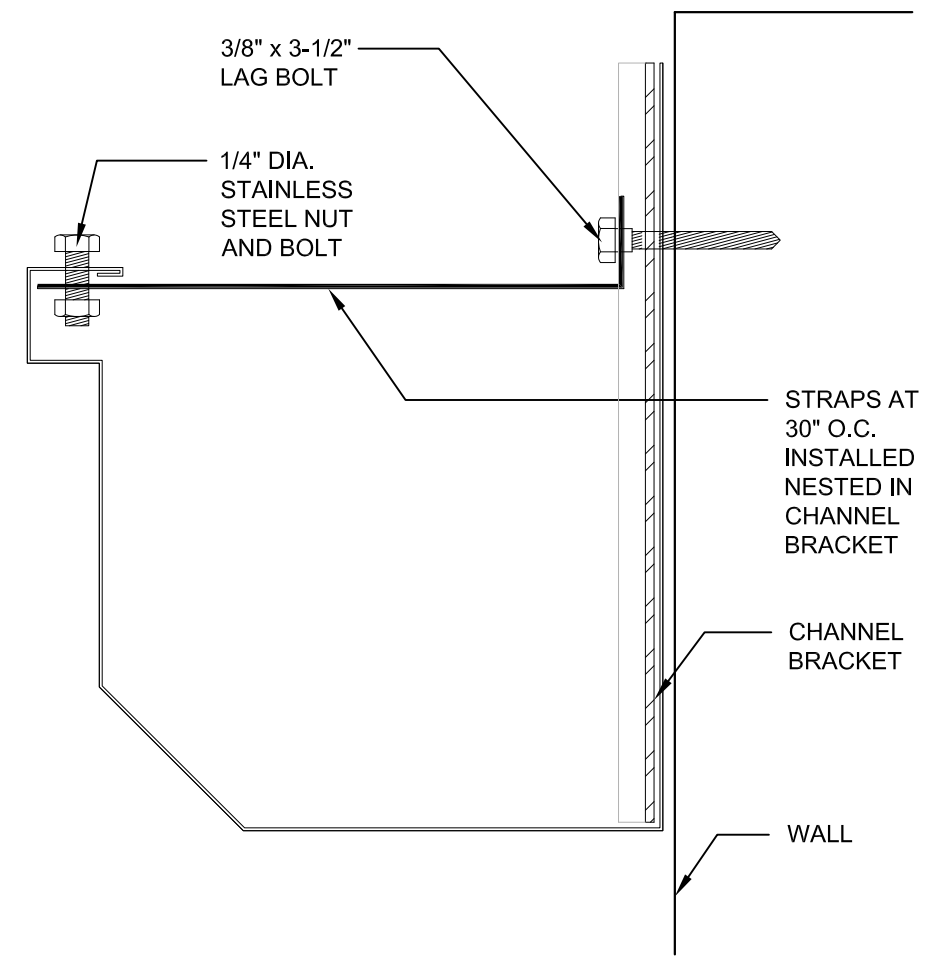
GUTTER STRAP
FABRICATION DRAWING



GUTTER CHANNEL BRACKET
FABRICATION DRAWING



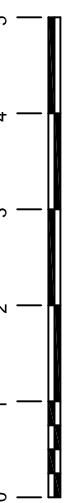
GUTTER
FABRICATION DRAWING



INSTALLATION DRAWING

DATE:
11/15/22

REV.:



RESISTANCE TESTED IN
ACCORDANCE WITH ANSI/SPRI GT-1
FET T251-22R2
UL TGJX.R40622

LOAD DIRECTION

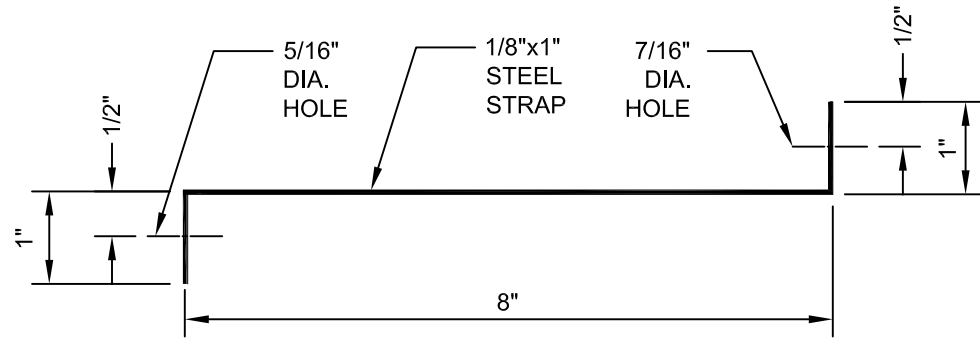
OUTWARD
UPWARD
DOWNWARD

TESTED WIND RESISTANCE LOAD

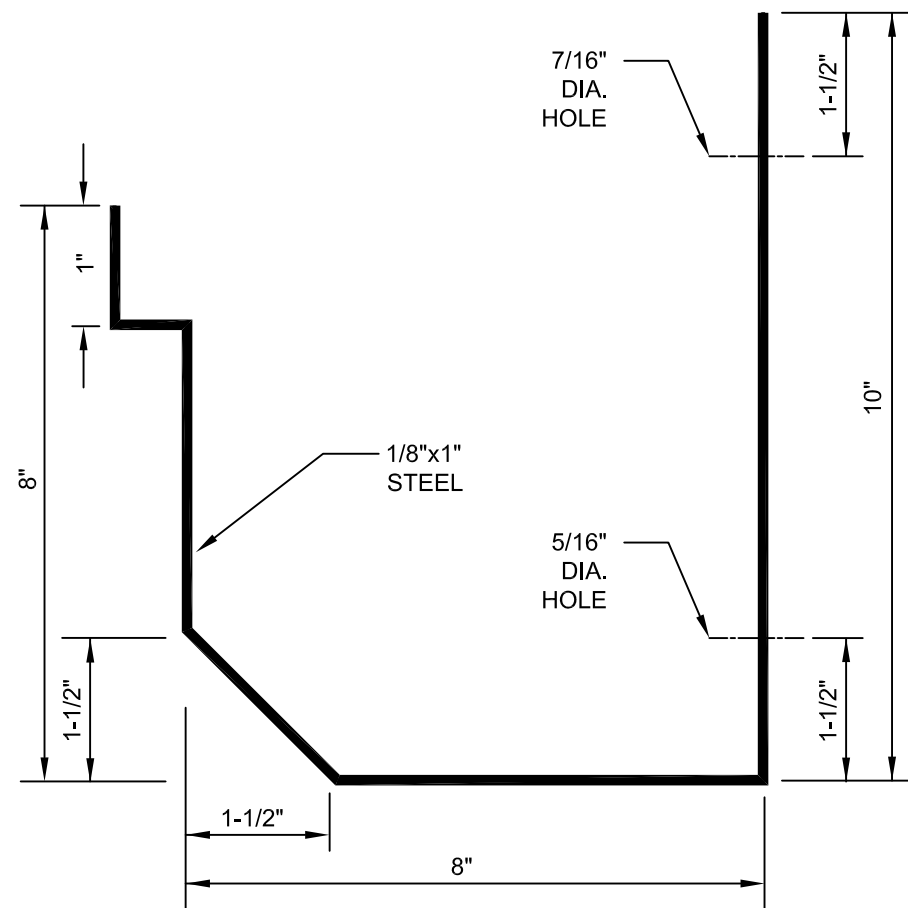
442 LBS./SQ. FT.
127 LBS./SQ. FT.
100 LBS./FT.

TWO-PIECE GUTTER - STYLE D WITH
INTERNAL CHANNEL BRACKETS

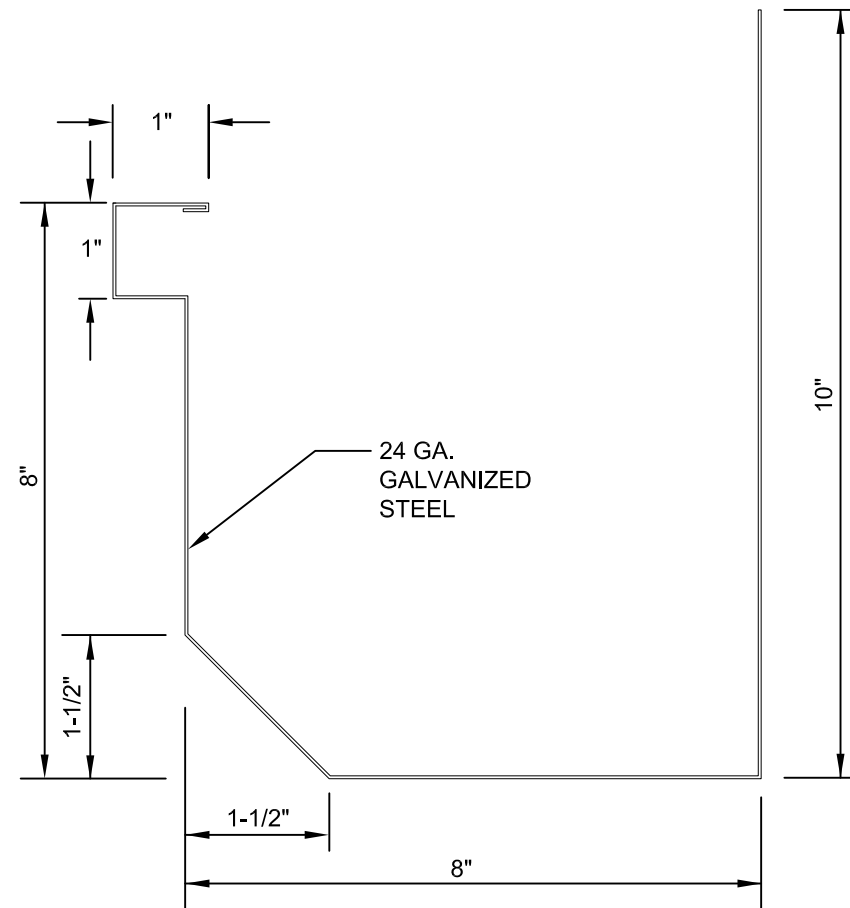
SHEET
No:
G6



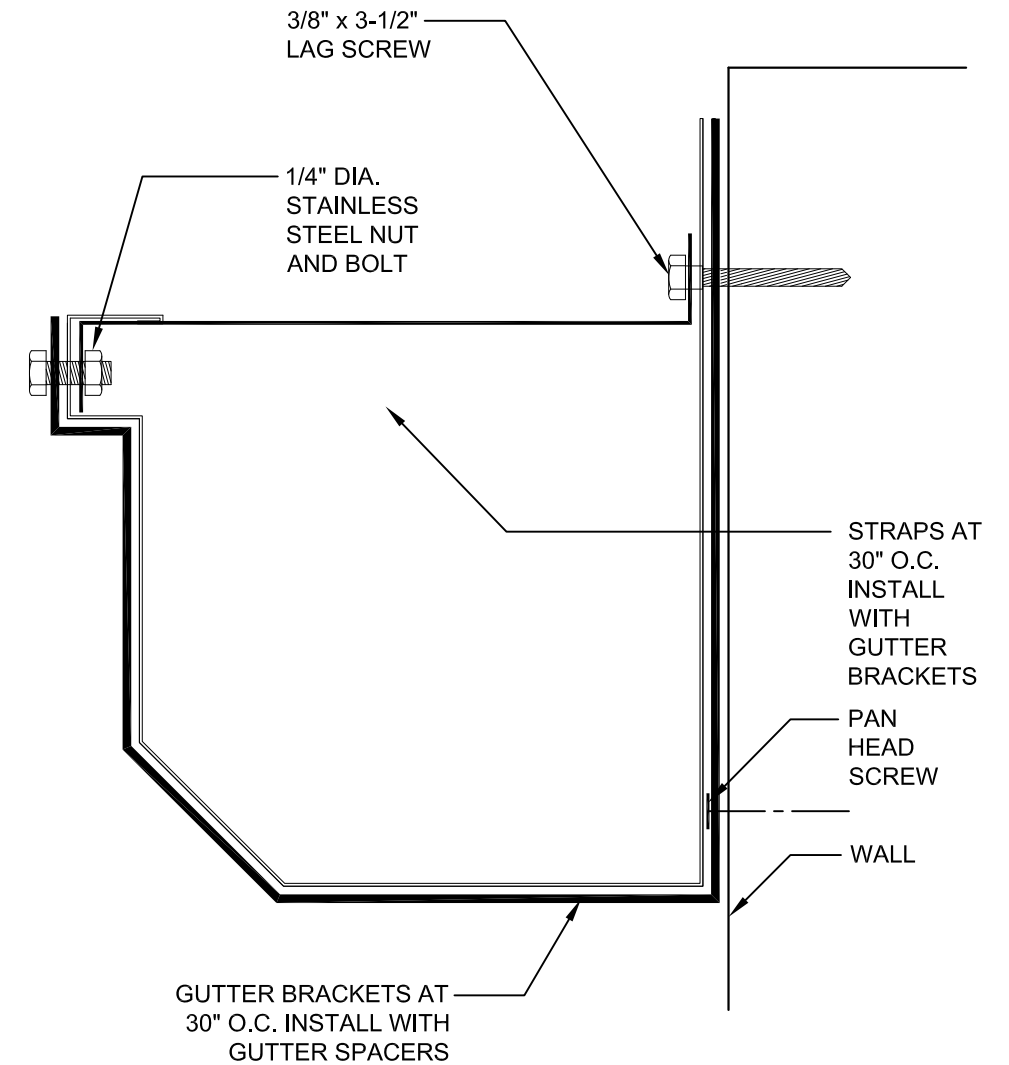
**GUTTER STRAP
FABRICATION DRAWING**



**GUTTER BRACKET
FABRICATION DRAWING**



**GUTTER
FABRICATION DRAWING**



INSTALLATION DRAWING

DATE:
11/15/22
REV.:



RESISTANCE TESTED IN
ACCORDANCE WITH ANSI/SPRI GT-1
FET T252-22R2
UL TGJX.R40622

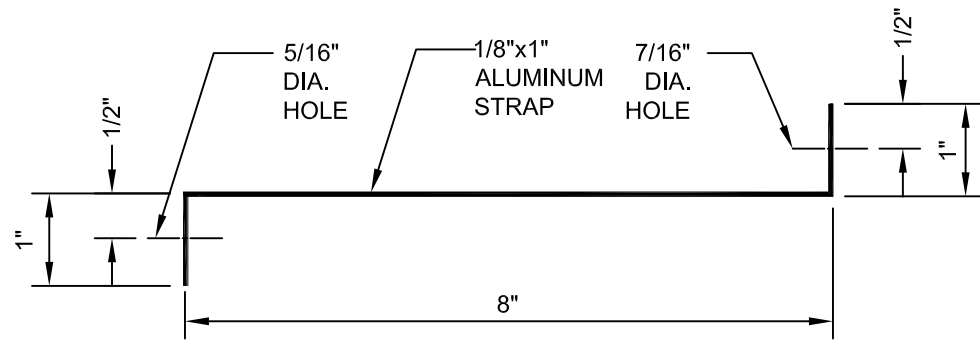
LOAD DIRECTION	TESTED WIND RESISTANCE LOAD
OUTWARD	300 LBS./SQ. FT.
UPWARD	142 LBS./SQ. FT.
DOWNWARD	75 LBS./FT.

TESTED WIND RESISTANCE LOAD

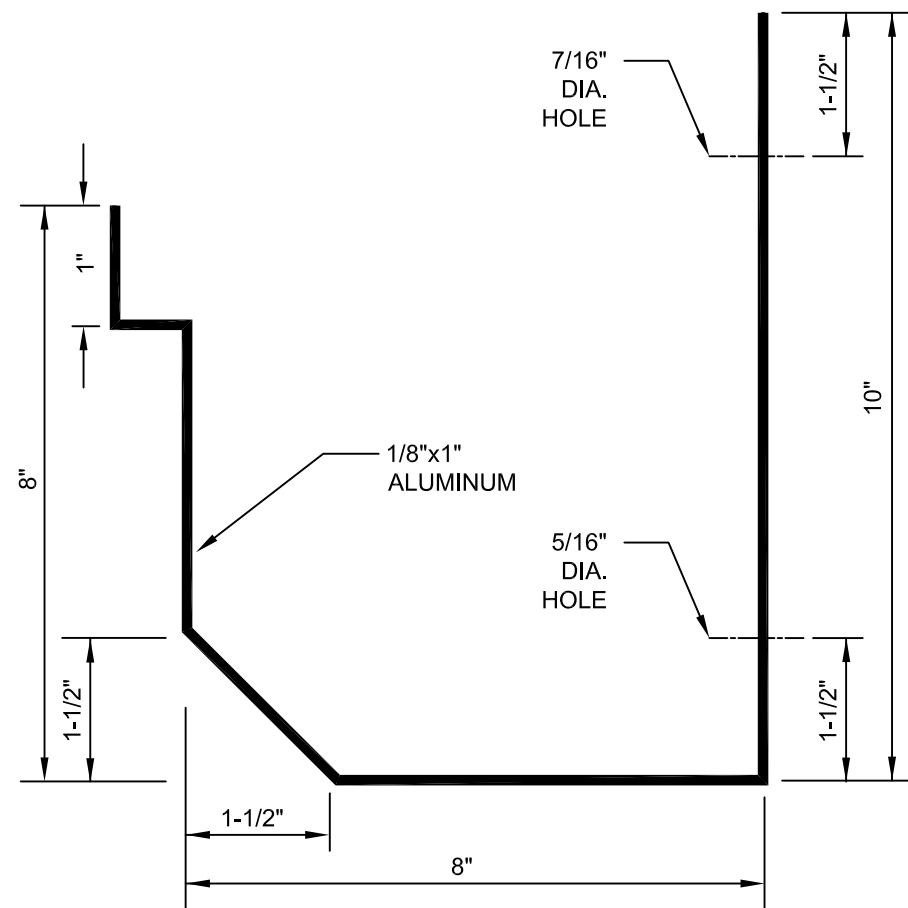
300 LBS./SQ. FT.
142 LBS./SQ. FT.
75 LBS./FT.

TWO-PIECE GUTTER - STYLE D WITH
WRAP AROUND BRACKETS

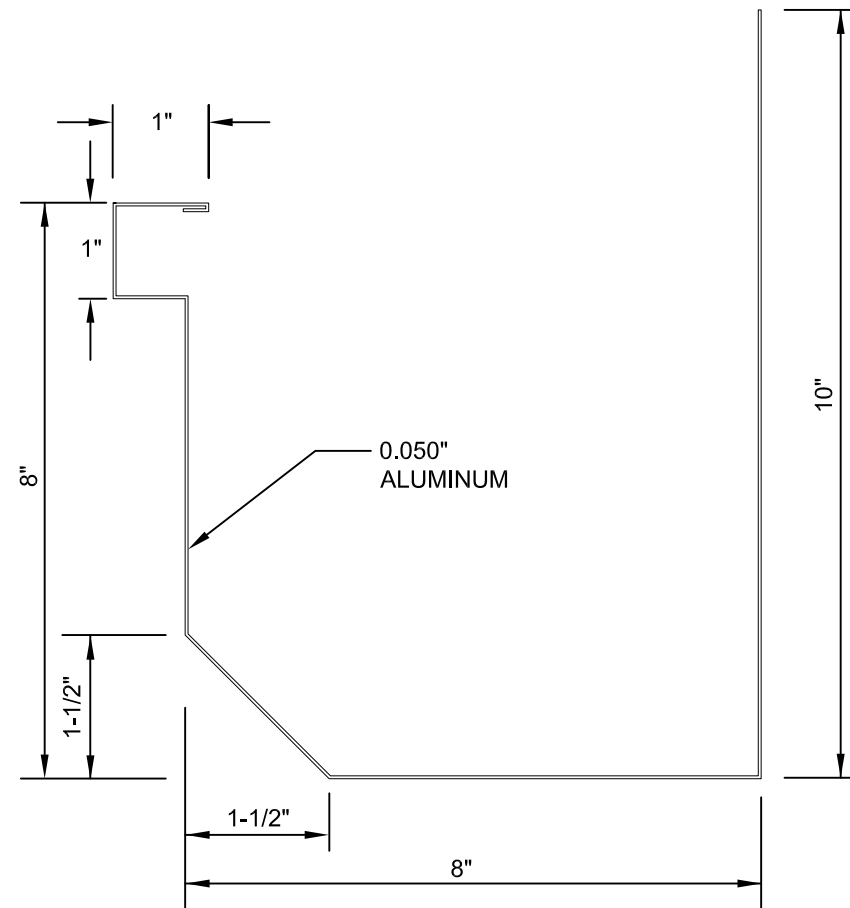
SHEET
No:
G7



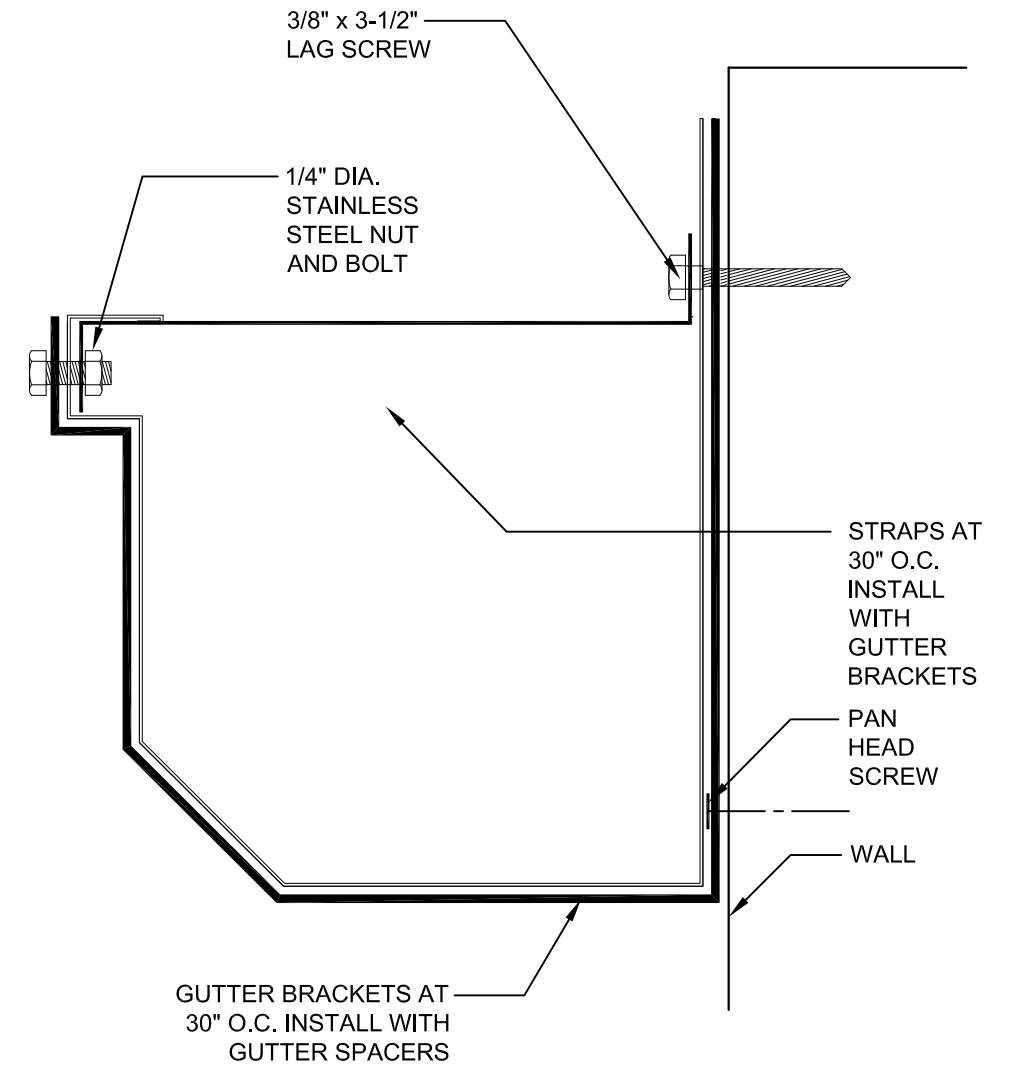
**GUTTER STRAP
FABRICATION DRAWING**



**GUTTER BRACKET
FABRICATION DRAWING**

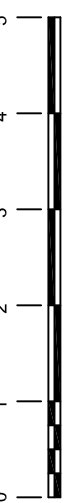


**GUTTER
FABRICATION DRAWING**



INSTALLATION DRAWING

DATE:
11/15/22
REV.:



RESISTANCE TESTED IN
ACCORDANCE WITH ANSI/SPRI GT-1
FET T253-22R2
UL TGJX.R40622

LOAD DIRECTION
OUTWARD
UPWARD
DOWNWARD

TESTED WIND RESISTANCE LOAD
232 LBS./SQ. FT.
172 LBS./SQ. FT.
115 LBS./FT.

TWO-PIECE GUTTER - STYLE D WITH
WRAP AROUND BRACKETS

SHEET
No:
G8