



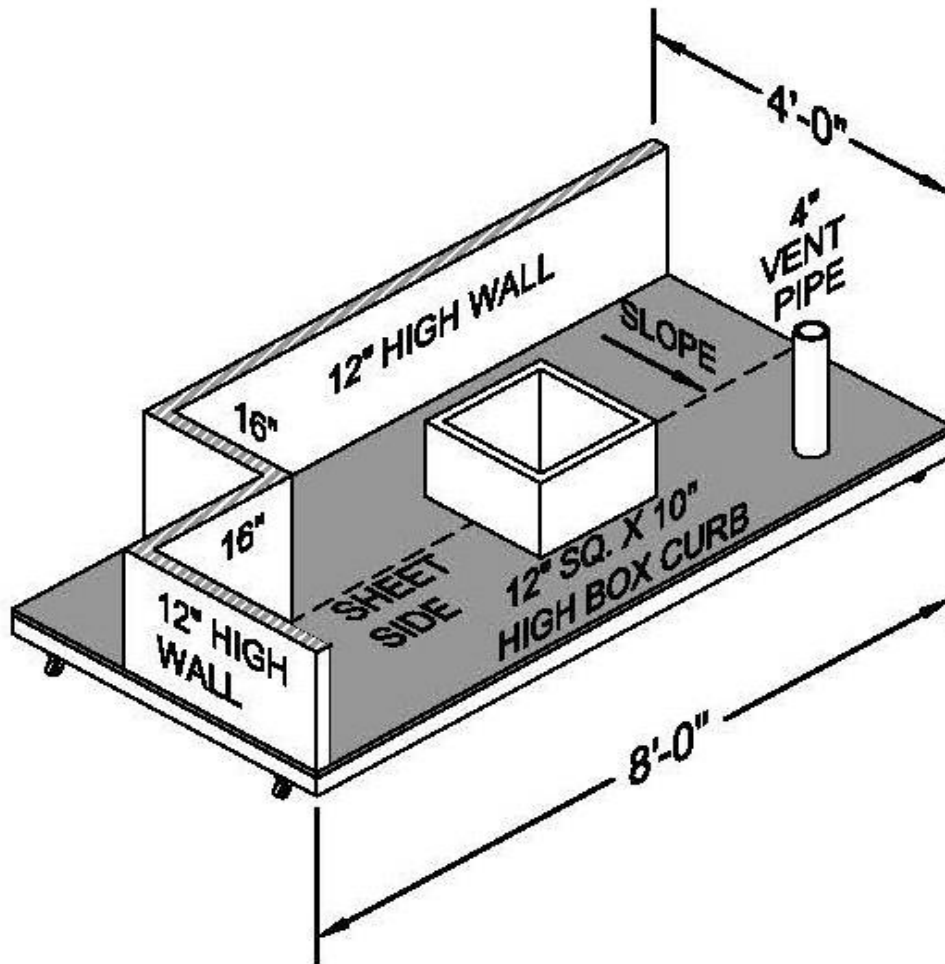
Performance Exam Mockup Designs for Thermoplastic and EPDM Roof Systems

Mockups for thermoplastic and EPDM system performance exams must resemble the characteristics of most low-slope roofs. These characteristics are essential to ensure standard testing conditions are achieved and fair performance exams are administered. All thermoplastic and EPDM system mockups must include the following characteristics:

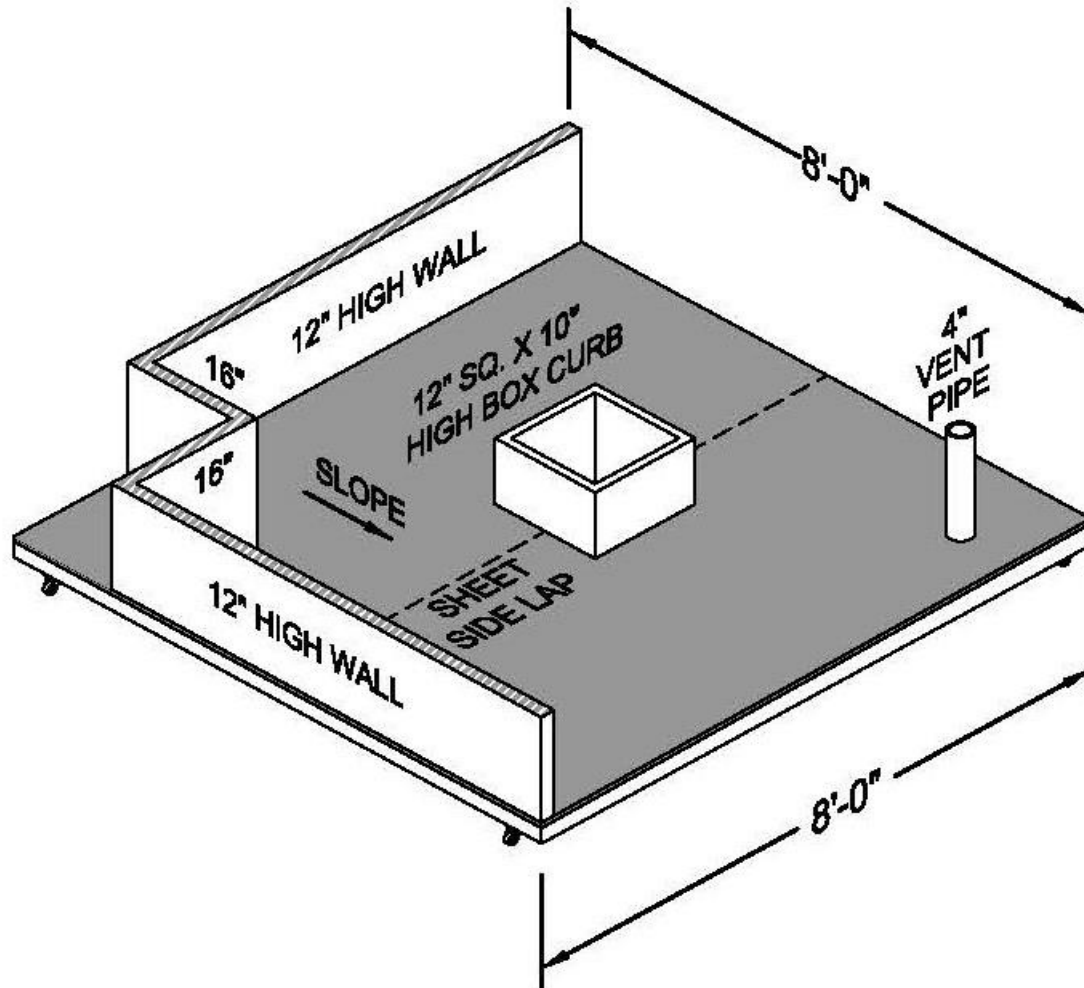
1. Be at ground level and remain stationary and secure for the duration of any performance exam
2. A 4- by 8-foot field area for mechanically attached performance assignments shall be used. Certain performance exam assignments may require a larger field area. See Table 1 for minimum field areas.
3. A wood or metal deck capable of supporting two times its intended total load. If a wood deck is used, a compatible separator sheet is required. A rigid board insulation attached with appropriate fasteners also may be used. If a metal deck is used, rigid board insulation and appropriate fasteners are required.
4. Twelve lineal feet of an integrated parapet wall with a nailable substrate (such as plywood, oriented strand board sheathing) that is 12 inches high, framed and attached to one short side and one long side of the mockup
5. Two parapet wall inside corners and one parapet wall outside corner formed using two pieces of nominal 2- by 12-inch by 16-inch long dimensional lumber secured into the inside corner formed by the two parapet walls
6. One roof edge no less than 8 feet long
7. One vent pipe penetration 4 inches in diameter and 12 inches high. Pipe penetration design should allow for detaching and reattaching at various mockup locations.
8. One 10-inch- high, square box curb penetration with each side 12 inches long
9. Penetrations must never be placed within 12 inches of a wall, roof edge or other penetration

**TABLE 1:
MINIMUM FIELD AREA REQUIREMENTS FOR
THERMOPLASTIC AND EPDM SYSTEM MOCKUPS**

System Type	Minimum Field Area
Mechanically attached thermoplastic system	32 square feet
Adhered thermoplastic system	64 square feet
Mechanically attached EPDM system	32 square feet
Adhered EPDM system	64 square feet



For mechanically attached system performance exams



For fully adhered system performance exams